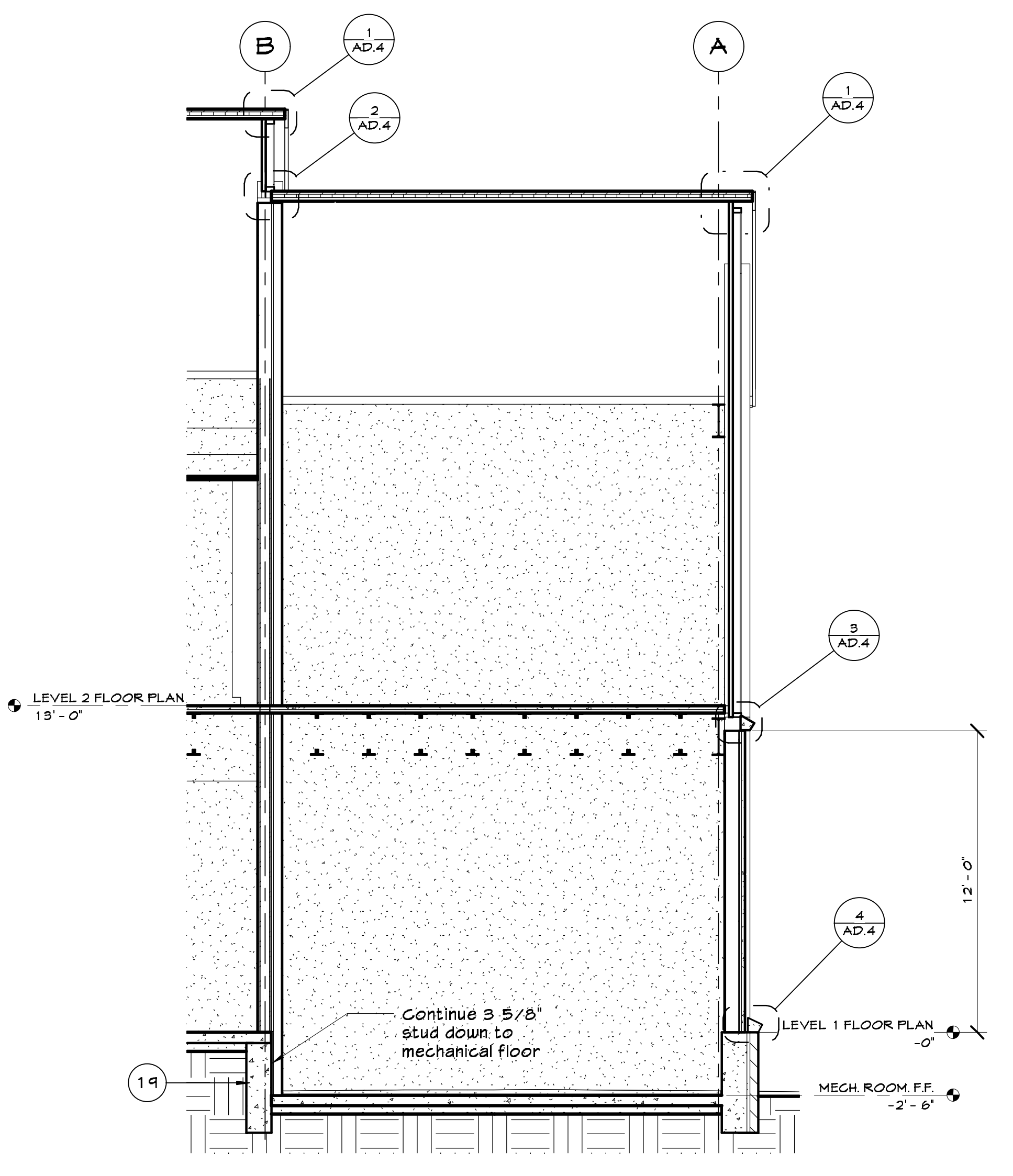
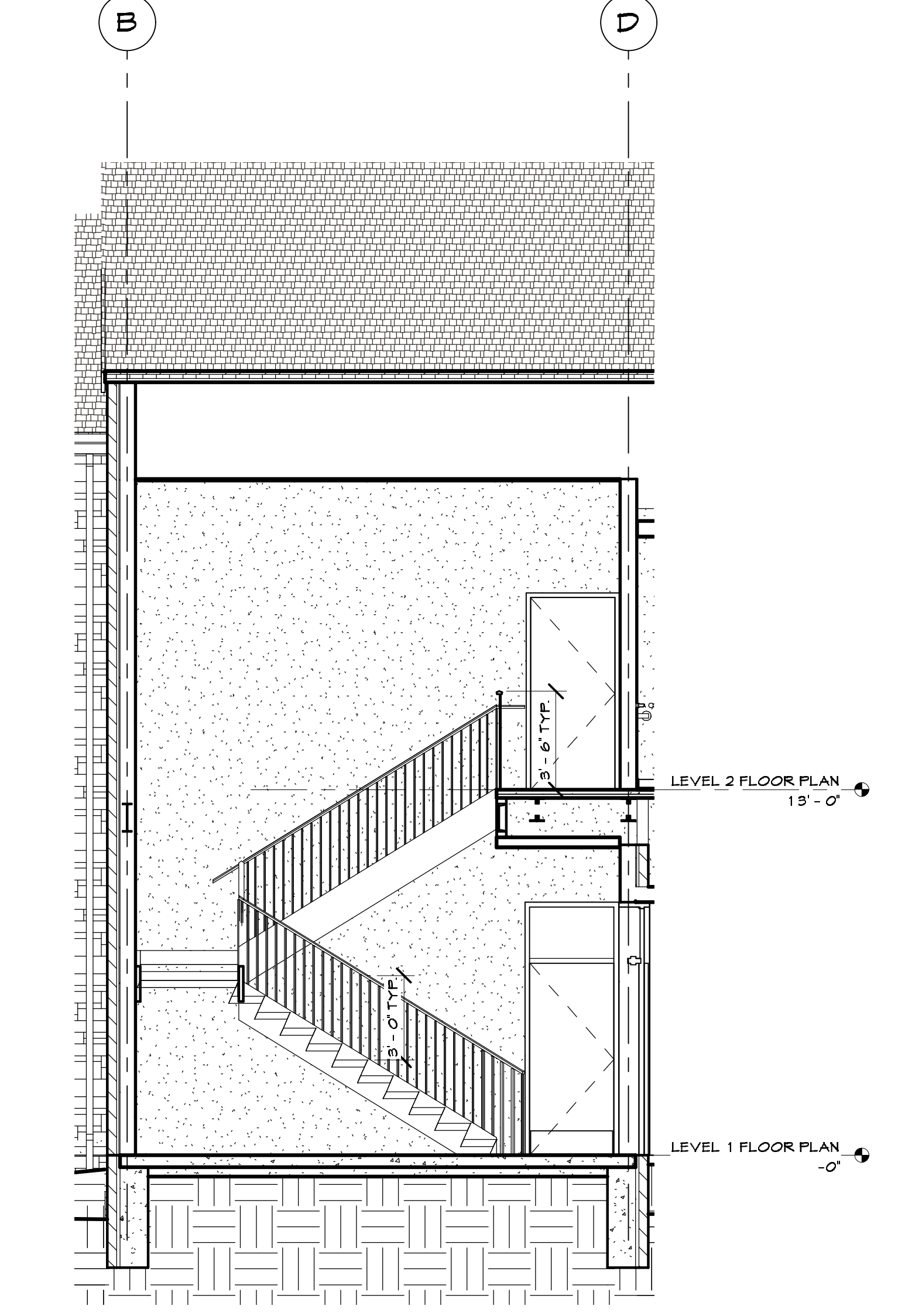


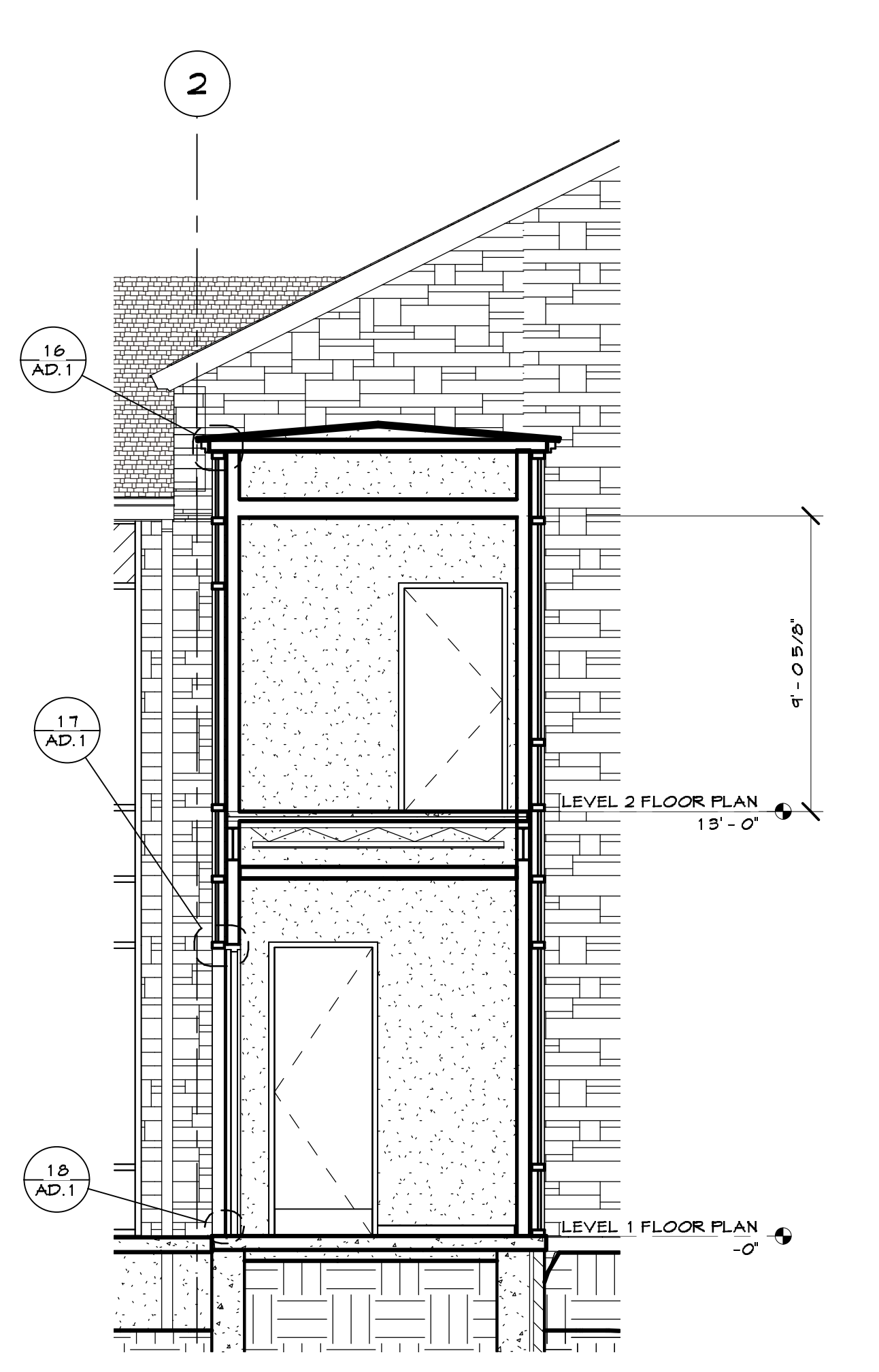
3 RECEPTION BAY WINDOW  
1/4" = 1'-0"



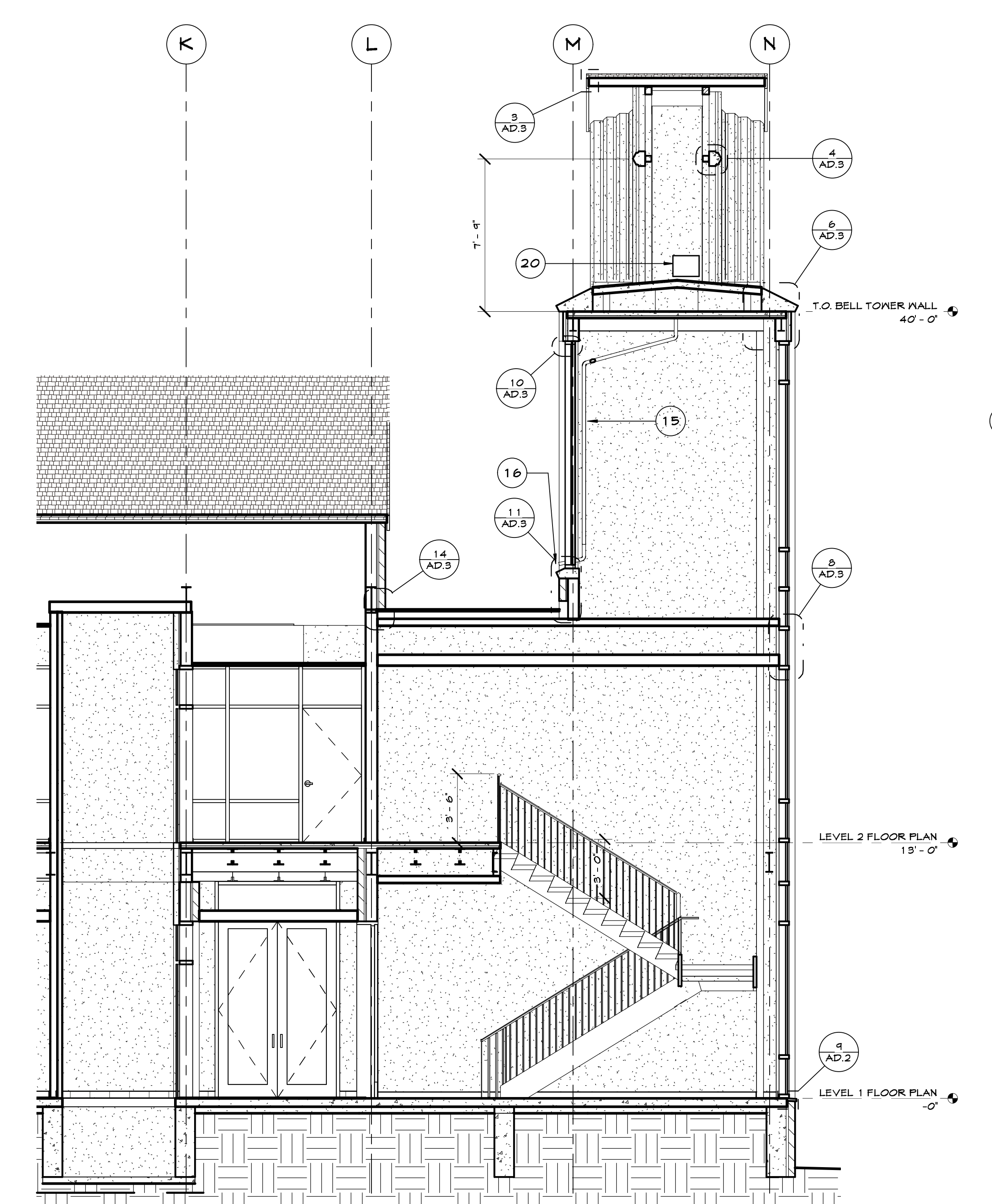
2 MECH./ ASST CHAPLAIN  
1/4" = 1'-0"



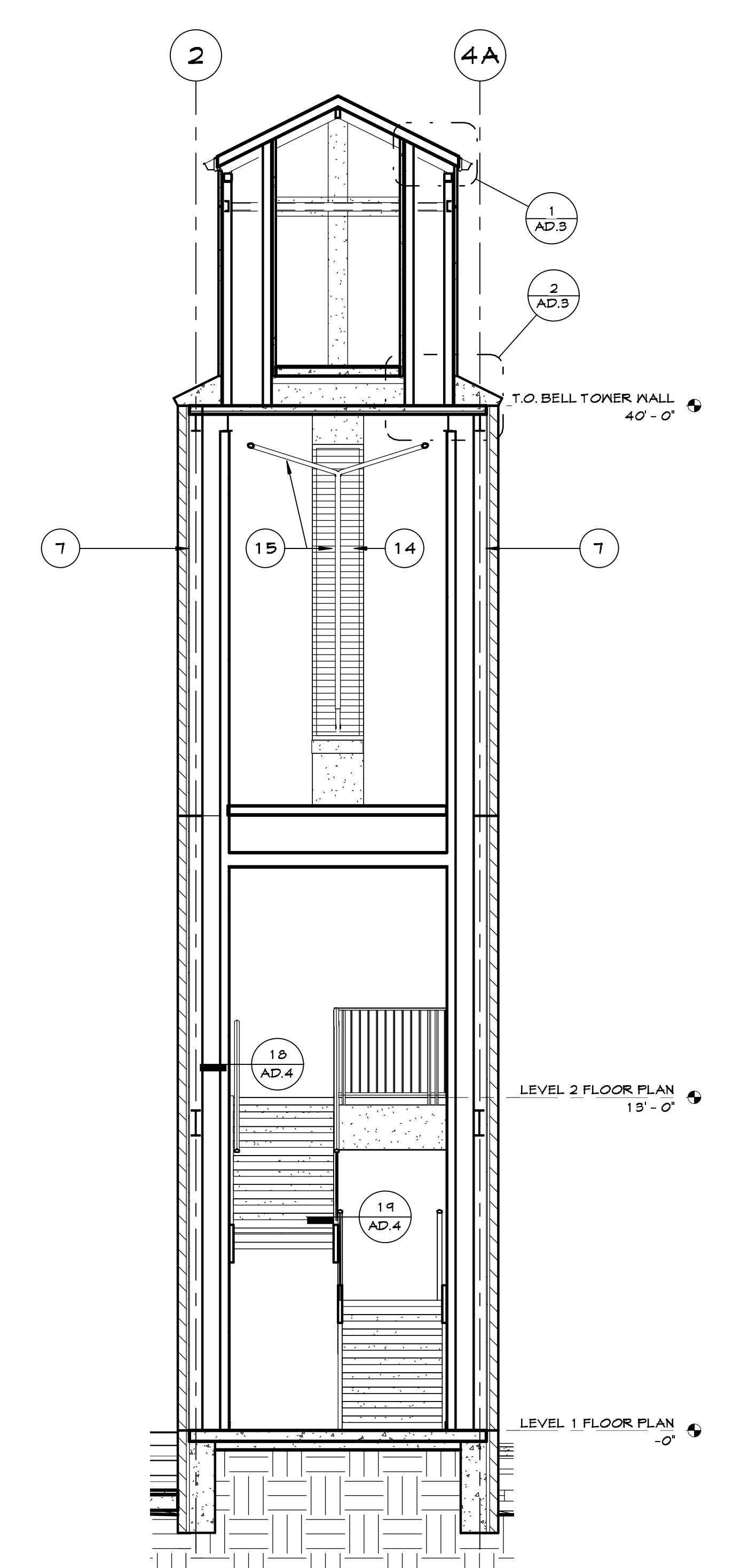
1 STAIR 4  
1/4" = 1'-0"



6 STAIR 3 LANDING & ROOF  
1/4" = 1'-0"



5 STAIR 3/ FOYER  
1/4" = 1'-0"



4 Stair 3  
1/4" = 1'-0"